

APPENDIX A

017 MULTIFUNCTION PINS

A.1 OVERVIEW OF MULTIFUNCTION PINS

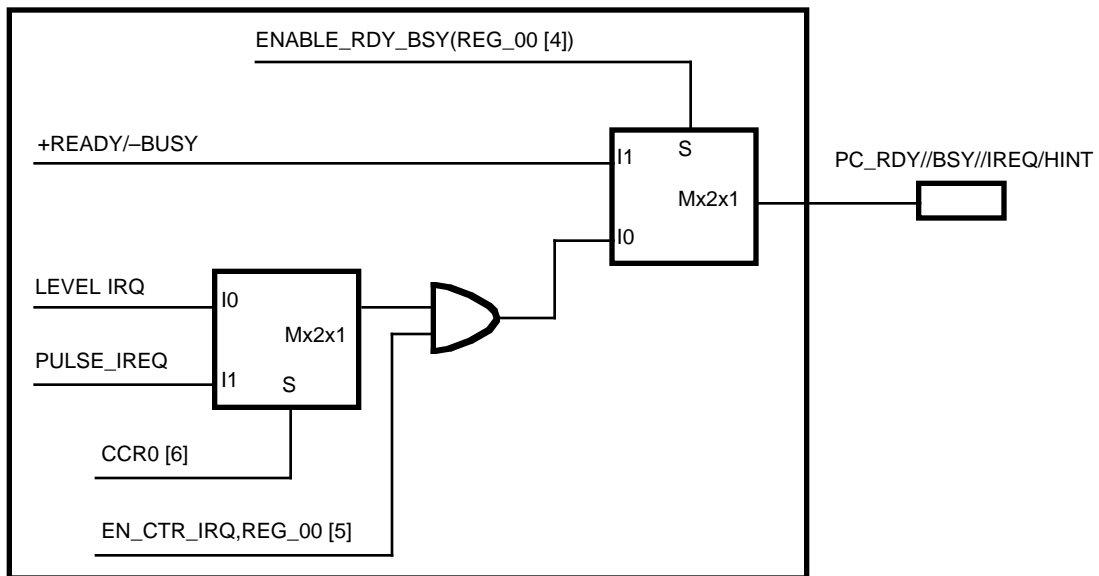


Figure A-1. Z16017BA PC_RDY//BSY//IREQ/HINT Pin

Note: Width of the PULSE_IREQ is: $T = 192 \times T_{pc_mclk_in}$

A.1 OVERVIEW OF MULTIFUNCTION PINS (Continued)

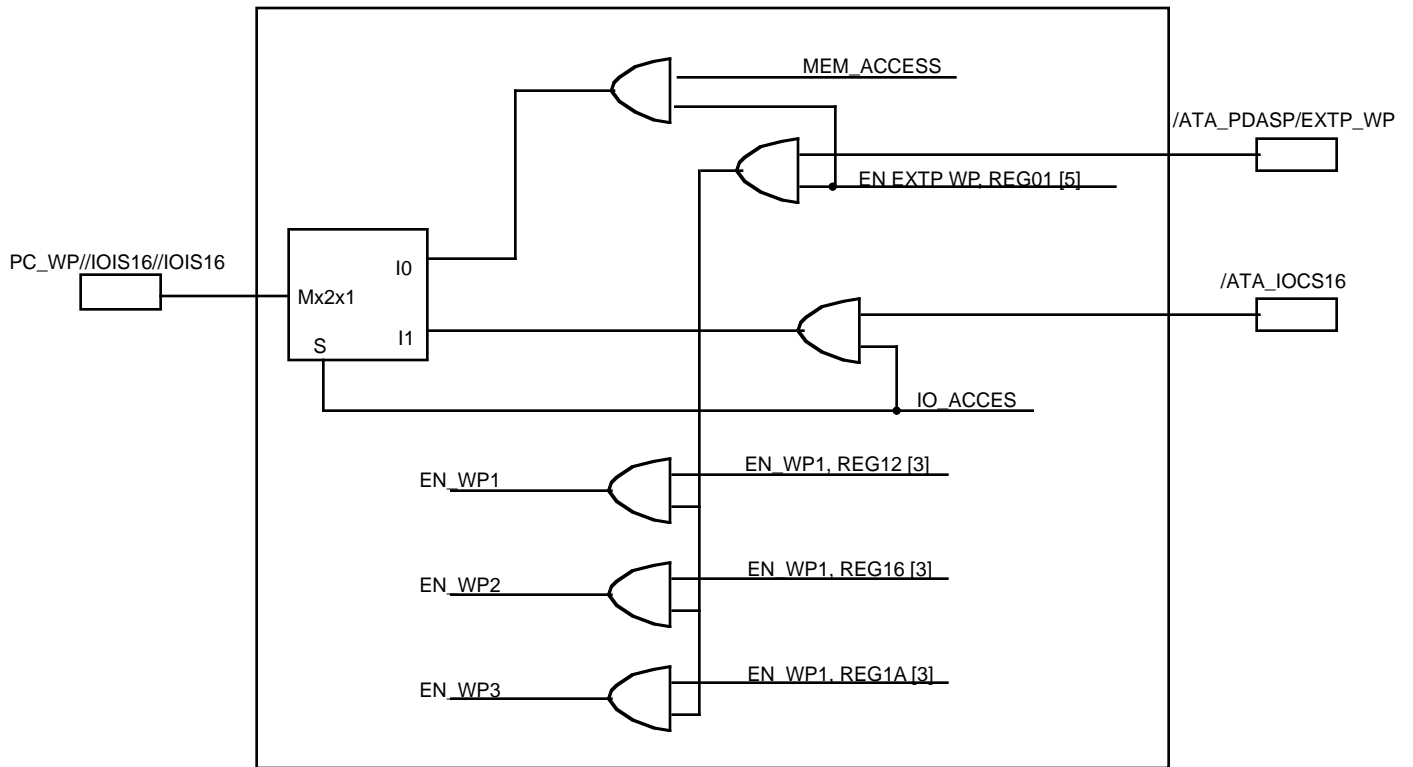


Figure A-2. Z86017BA PC_WP//IOIS16//IOIS16 Pin

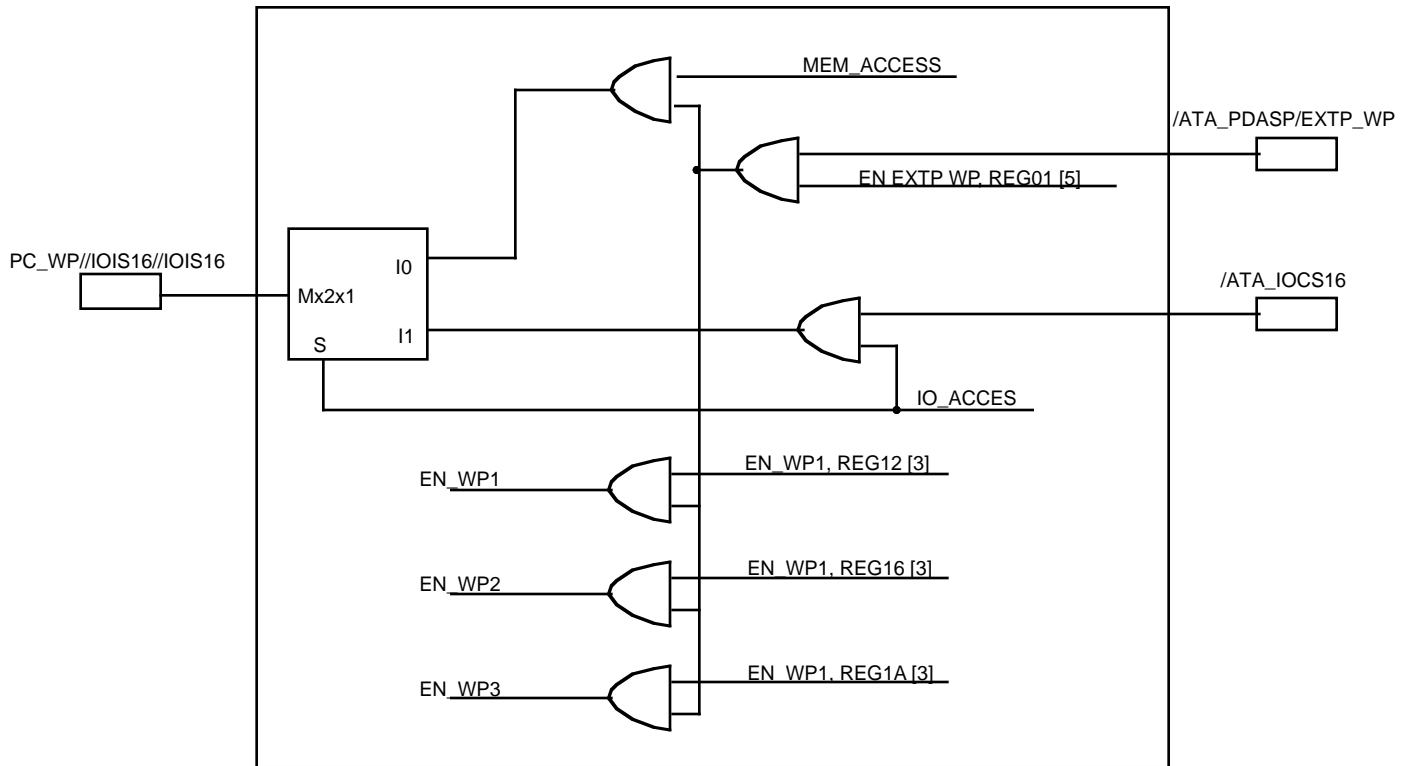


Figure A-3. Z16017BA PC_WP//IOIS16//IOIS16 Pin

A.1 OVERVIEW OF MULTIFUNCTION PINS (Continued)

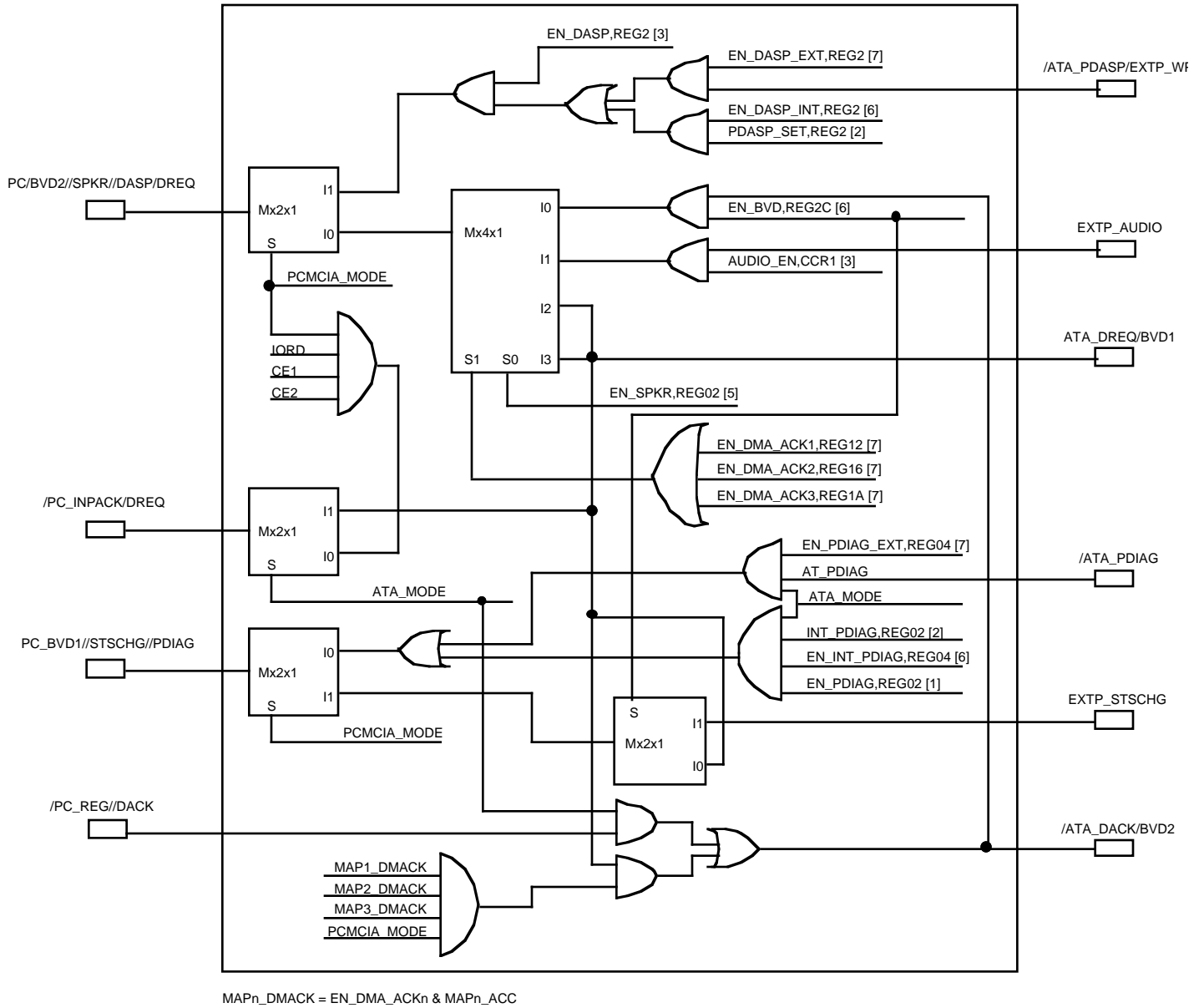


Figure A-4. Z86017BA (Overview of Internal Structure)

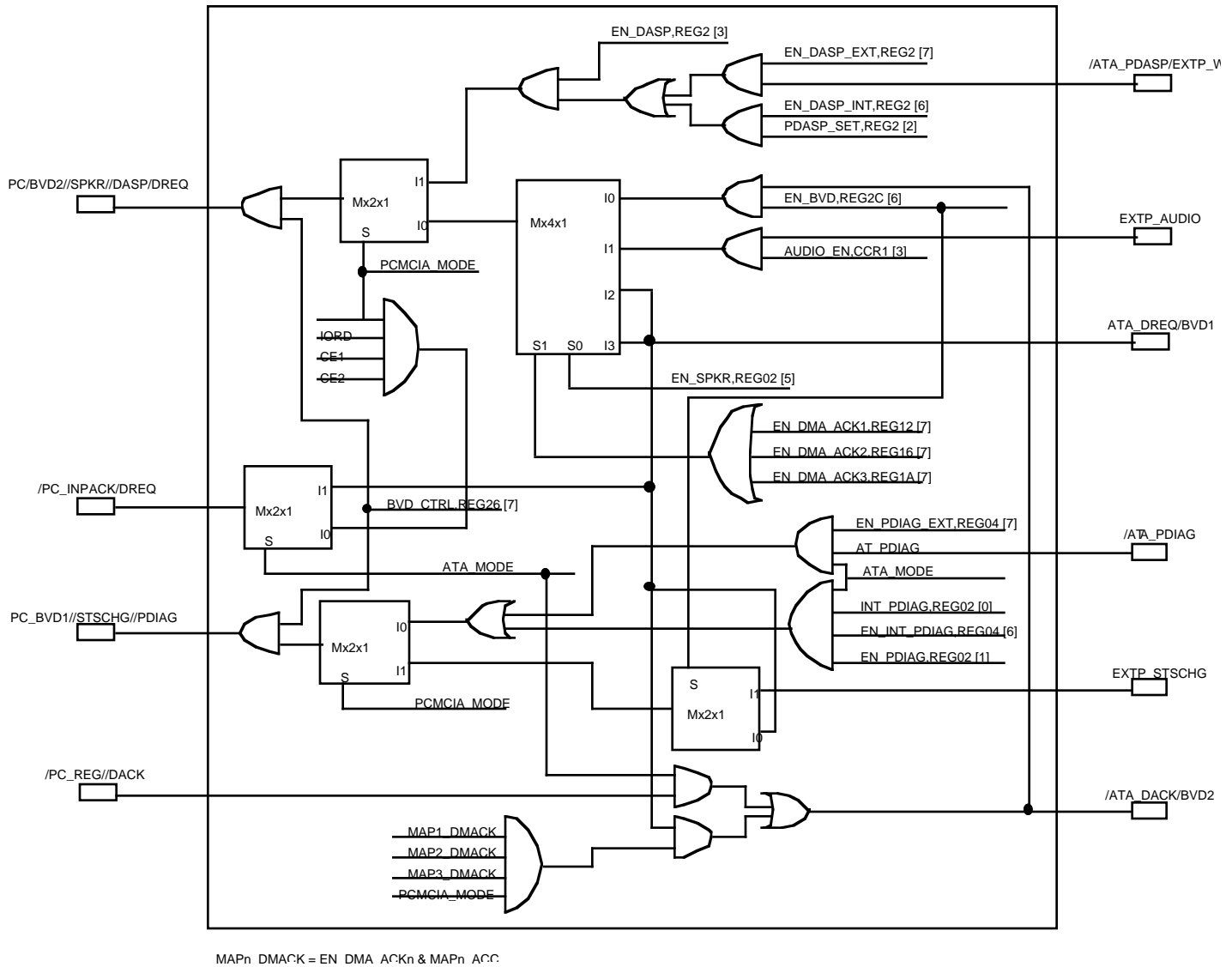


Figure A-5. Z16017BA (Overview of Internal Structure)

